

SOD-323 Plastic-Encapsulate Diodes

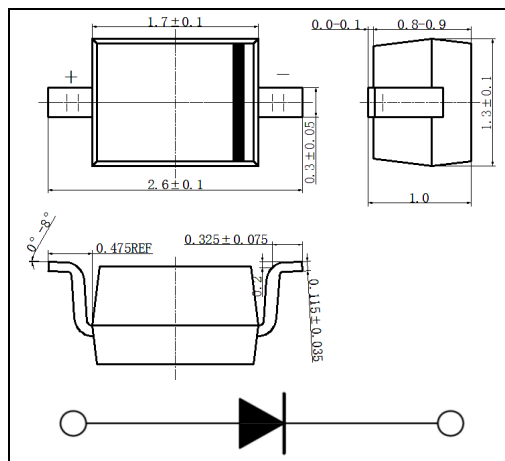
1N4148WS

Fast Switching Diode

Features

- Fast Switching Speed
- Surface Mount Package Ideally Suited for Automatic Insertion
- For General Purpose Switching Applications
- High Conductance

Marking: T4



Maximum Ratings (T_a=25°C unless otherwise noted)

Symbol	Parameter	Value	Unit
V _{RM}	Non-Repetitive Peak Reverse Voltage	100	V
V _{RRM}	Peak Repetitive Peak Reverse Voltage	100	V
V _{RWM}	Working peak reverse voltage		V
V _R	DC blocking voltage		V
V _{R(RMS)}	RMS reverse voltage		V
I _{FM}	Forward Continuous Current	300	mA
I _o	Average Rectified Output Current	150	mA
I _{FSM}	Non-Repetitive Peak Forward Surge Current @t=8.3ms	2.0	A
P _D	Power Dissipation	200	mW
R _{θJA}	Thermal Resistance from Junction to Ambient	625	°C/W
T _j	Junction Temperature	150	°C
T _{stg}	Storage Temperature	-55~+150	°C

Electrical Characteristics (T_a=25°C unless otherwise specified)

Symbol	Parameter	Test Conditions	Min	Typ	Max	Unit
V _{F1}	Forward voltage	I _F = 1mA			0.715	V
V _{F2}		I _F = 10mA			0.855	V
V _{F3}		I _F = 50mA			1.0	V
V _{F4}		I _F = 150mA			1.25	V
I _{R1}	Reverse current	V _R = 75V			1	μA
I _{R2}		V _R = 20V			25	nA
C _T	Capacitance between terminals	V _R = 0V, f = 1MHz			2	pF
t _{rr}	Reverse recovery time	I _F = I _R = 10mA I _{rr} = 0.1X I _R , R _L = 100Ω			4	ns

Typical Characteristics

